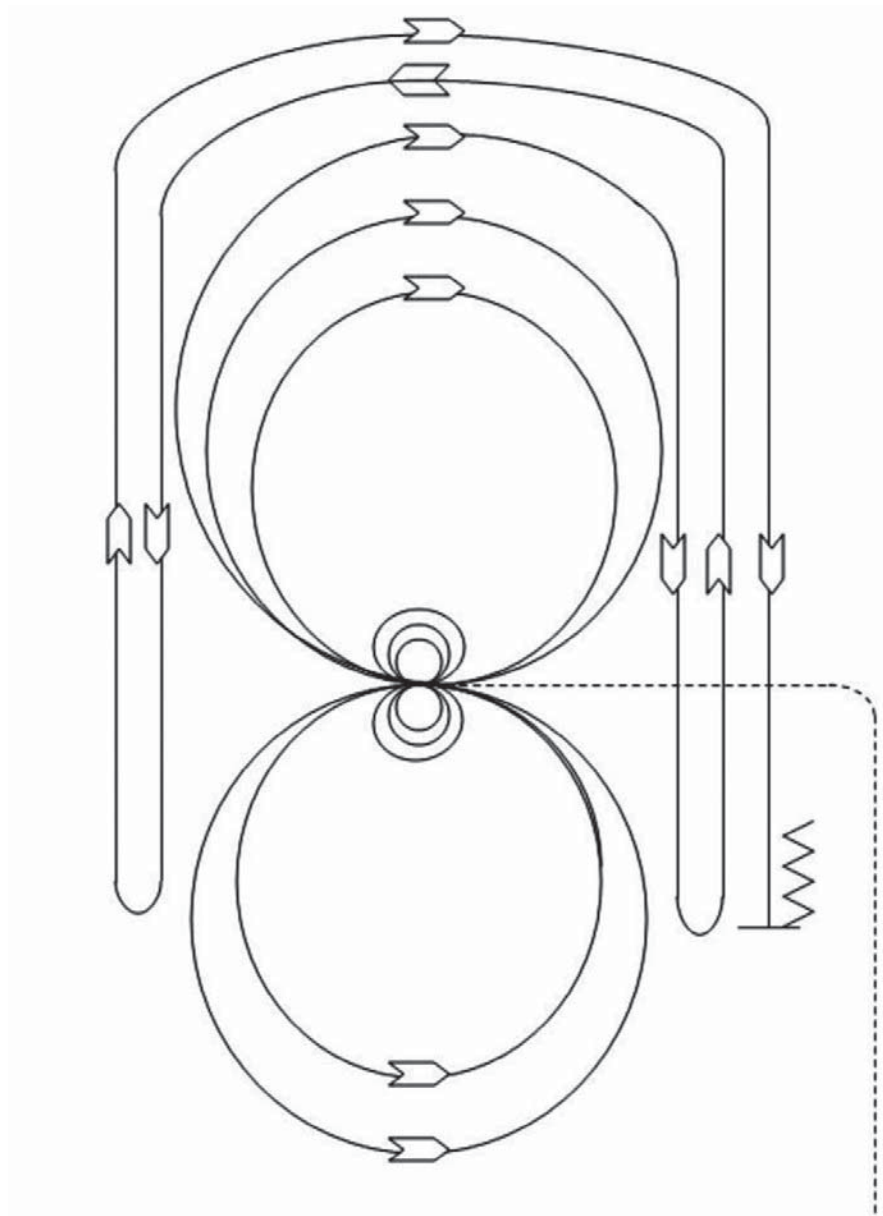


VRH AND RHC RANCH REINING PATTERN 1



Mandatory Markers along Fence or Wall The judge shall indicate with markers on arena fence or wall the center of the pattern.

Ride pattern as follows: Trot to center of arena and stop.

- 1.** Complete 3 spins in one direction. Hesitate.
- 2.** Complete 3 spins in the opposite direction. Hesitate.
- 3.** Beginning on right lead, complete two large fast circles to the right. Change leads at center of arena.
- 4.** Complete two large fast circles to the left. Change leads at center of arena.
- 5.** Begin a large circle to the right but do not close this circle. Run down the right side of the arena past the center marker and do a left roll back at least 20 feet from the wall or fence, no hesitation.
- 6.** Continue back around the previous circle but do not close this circle. Run down the left side of the arena past the center marker and do a right roll back at least 20 feet from the wall or fence, no hesitation.
- 7.** Continue back around previous circle, but do not close this circle. Run down the right side of the arena past the center marker and do a sliding stop at least 20 feet from the wall or fence. Back up at least 10 feet. Hesitate to show completion of pattern.